

# WHEEL DOZER

# WD900-3

FLYWHEEL HORSEPOWER: **637kW** 853 HP @2,000RPM  
BLADE CAPACITY: **26.0m<sup>3</sup>** 34.0cu.yd  
OPERATING WEIGHT: **100,000 kg** 220,460 lb



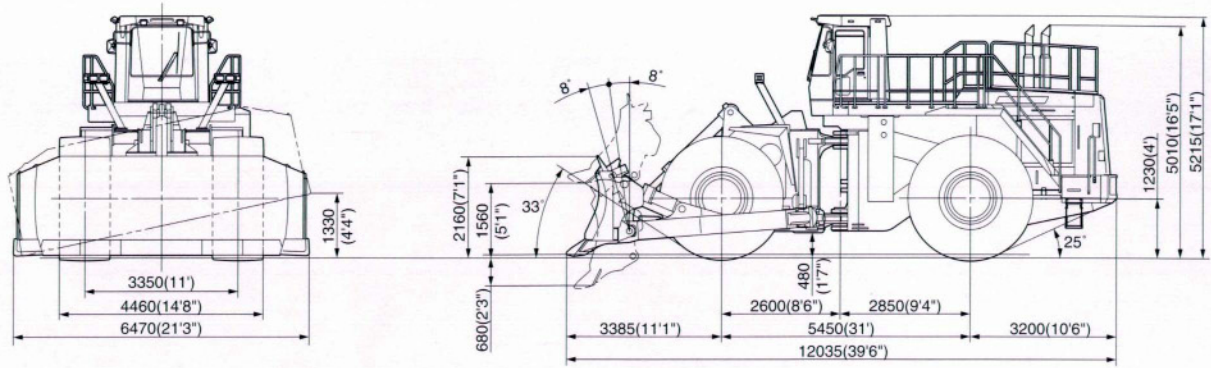
Model shown may include optional equipment.

- *The powerful Komatsu SA12V140 engine provides fuel-efficient operation*
- *Roomy, quiet cab with high-capacity air conditioner substantially reduces operator fatigue*
- *Down-Shift switch on the blade control lever is effective to dozing operations*
- *Automatic shift control gives the operator maximum control with minimum effort*
- *Stick-steer control system is an efficient, low-effort steering system*
- *Komatsu viscous damping cab mounts reduce vibration and noise*
- *Adjustment-free service brake accounts for higher performance and reduced downtime*
- *High-quality components are used for superior reliability and availability*

**KOMATSU**

# DIMENSIONS

(Unit:mm ft.in)



Blade type	Semi-U blade	Coal blade
Blade capacity (SAE Rated)	26.0 m <sup>3</sup> (34.0 cu.yd)	45.0 m <sup>3</sup> (58.9 cu.yd)
Blade width	6,470 mm (21'3")	7,400 mm (24'3")
Max.lift above ground	1,580 mm (5'2")	1,560 mm (5'1")
Max. drop below ground	680 mm (2'3")	680 mm (2'3")
Max. tilt adjustment	1,330 mm (4'4")	1,710 mm (5'7")
Max. pitch angle adjustment	±8°	±8°

## SPECIFICATIONS

### ENGINE

Model.....	Komatsu SA12V140
Type.....	Water-cooled, 4-cycle
Aspiration.....	Turbocharged
No. of cylinders.....	12
Bore × stroke.....	140mm×165mm 5.5"×6.5"
Piston displacement.....	30.5 ltr. 1,861 cu.in
Performance:	
Flywheel horsepower.....	<b>637 kw</b> 853 HP (SAE J1349)
Rated RPM.....	<b>637 kw</b> 865 PS (DIN 6270)
Rated RPM.....	2,000 RPM
Fuel system.....	Direct injection

### TRANSMISSION

Torque converter:	
Type.....	3-element, single-stage, single-phase
Transmission:	
Type.....	Full-powershift, planetary gear type

### Travel speed:km/h MPH

Measured with 45/65 R45 XLDD tires

	1st	2nd	3rd
Forward	7.0 4.3	12.3 7.6	28.0 17.4
Reverse	7.1 4.4	12.4 7.7	28.3 17.6

### AXLES & FINAL DRIVES

Drive system.....	Four-wheel drive
Front.....	Fixed, full-floating
Rear.....	Center-pin-support, full-floating ±11° oscillation
Reduction gear.....	Spiral bevel gear
Differential gear.....	Straight bevel gear
Final reduction gear.....	Planetary gear, single reduction, oil bath

### TIRES

Front and rear : 45/65 R45 XLDD(L4)  
Rims : 36.00-45

### BRAKES

Service brakes: 4-wheel, systematic brake for front/rear wheel, hydraulically actuated, wet disc  
Parking brake: Dry-disc type, hydraulic released, spring applied on front axle input shaft  
Emergency brake: Uses parking brake

### STEERING SYSTEM

Type.....	Articulated type, full-hydraulic power steering
Steering angle.....	40° each direction
Minimum turning radius at the center of outside tire.....	<b>9,200 mm</b> 30' 2"

### HYDRAULIC SYSTEM

Steering system:	
Hydraulic pump.....	Piston pump
Relief valve setting.....	<b>320 kg/cm<sup>2</sup></b> 4,550 PSI
Hydraulic cylinders:	
Type.....	Double-acting, piston type
No. of cylinders.....	2
Bore × stroke.....	<b>160 mm × 503 mm</b> 6.3" × 19.8"
Dozer control:	
Hydraulic pump.....	Two-piston pumps, one for switch pump
Relief valve setting.....	<b>320 kg/cm<sup>2</sup></b> 4,550 PSI
Hydraulic cylinders:	
Type.....	Double-acting, piston type
No. of cylinders-bore × stroke:	
Lift cylinder.....	<b>1- 200 mm × 1,300 mm</b> 7.9" × 51.2"
Tilt cylinder.....	<b>2-225 mm × 240 mm</b> 8.9" × 9.4"
Control valve.....	Double spool type, pilot control
Control positions:	
Blade lift control.....	Raise, hold lower and float
Blade tilt and pitch control.....	Tilt-left, hold and tilt-right, pitch for forward and back

### ROPS & CAB

Structure complies with ISO 3471 and SAE J1040c ROPS (Roll-Over Protective Structure) standards, as well as ISO 3449 FOPS (Falling Object Protective Structure) standards. The cab is mounted on viscous mount and well insulated.

### SERVICE REFILL CAPACITIES

Cooling system.....	<b>301 ltr.</b> 79.5 U.S.gal
Fuel tank.....	<b>1,430 ltr.</b> 377.8 U.S.gal
Engine.....	<b>132 ltr.</b> 34.9 U.S.gal
Hydraulic system.....	<b>725 ltr.</b> 191.5 U.S.gal
Axle (each front and rear).....	<b>360 ltr.</b> 95.1 U.S.gal
Torque converter and transmission.....	<b>140 ltr.</b> 37 U.S.gal

This specification sheet may contain attachments and optional equipment that are not available in your area. Please consult your local Komatsu distributor for those items you may require. Materials and specifications are subject to change without notice.

# KOMATSU