

KOMATSU®

PC210-8M0 Tunnel Variant

GROSS HORSEPOWER
110 KW 147 HP

NET HORSEPOWER
103 KW 138 HP

OPERATING WEIGHT
18,900 kg

MIN TUNNEL DIAMETER
6,000 mm

PC
210



HYDRAULIC EXCAVATOR

PC210-8M0

ecot3

PC210-8M0



ENGINE

Model Komatsu SAA6D107E-1
 Type Water-cooled, 4-cycle, direct injection
 Aspiration Turbocharged, aftercooled
 Number of cylinders 6
 Bore 107 mm
 Stroke 124 mm
 Piston displacement 6.69 L

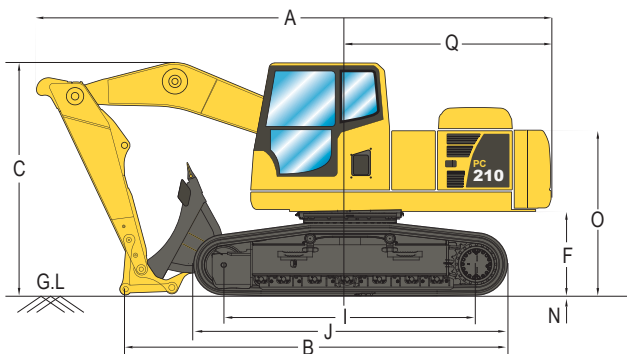
Horsepower:

SAEJ1995 Gross 110 kW 147 HP
 ISO 9249 / SAE J1349 Net 103 kW 138 HP
 Rated rpm 2000 min-1
 Fan drive method for radiator cooling mechanical
 Governor All-speed control, electronic

EPA Tier 3 and EU Stage 3 A emissions equivalent.



EQUIPMENT DIMENSION



A	Overall length	6,695 mm
B	Length on ground (transport)	4,895 mm
C	Overall height (to top of boom)	3,015 mm
D	Overall width	2,800 mm
E	Overall height (to top of cab)	3,035 mm
F	Ground clearance, counter weight	1,085 mm
G	Ground clearance (minimum)	440 mm
H	Tail swing radius	2,725 mm
I	Track length on ground	3,275 mm
J	Track length	4,070 mm
K	Track gauge	2,200 mm
L	Width of crawler	2,800 mm
M	Shoe width	600 mm
N	Grouser height	26 mm
O	Machine cab height	2,095 mm
P	machine cab width	2,710 mm
Q	Distance, swing center to rear end	2,685 mm



HYDRAULICS

Type HydraMind (Hydraulic Mechanical Intelligence New Design)
 system closed-center system with load sensing valves and pressure compensated valves

Number of selectable working modes 6
 Main pump:

Type Variable displacement piston type
 Pumps for Boom, arm, bucket, swing and travel circuits
 Maximum flow 439 L / Min

Supply for control circuit Self-reducing valve

Hydraulic motors:

Travel 2 x axial piston motor with parking brake
 Swing 1 x axial piston motor with holding brake

Relief valve setting:

Implement circuits 37.3 Mpa 380 kg / cm²
 Travel Circuit 37.3 Mpa 380 kg / cm²
 Swing circuit 28.9 Mpa 295 kg / cm²
 Pilot circuit 3.2 Mpa 33 kg / cm²

Hydraulic cylinders:

(Number of cylinders - bore x stroke x rod diameter)

Boom 2 - 120 mm x 1200 mm x 85 mm

Arm 1 - 135 mm x 1455 mm x 95 mm

Bucket for 6.35m arm 115mm x 1120mm x 80 mm

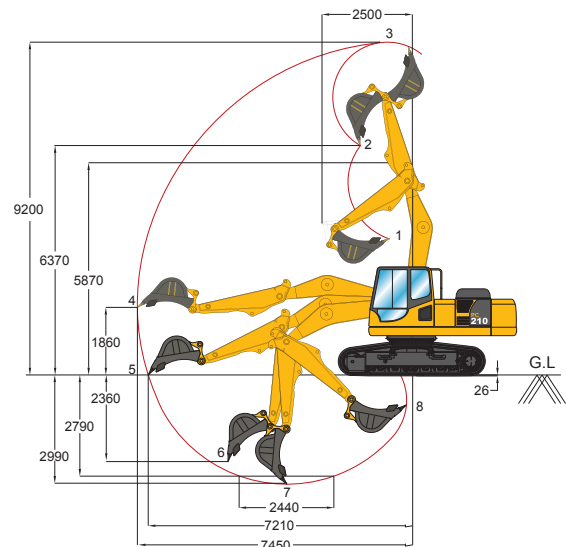


COOLANT & LUBRICANT CAPACITY (REFILLING)

Fuel 400 L
 Coolant 20.4 L
 Engine 23.1 L
 Final drive, each side 3.6 L
 Swing drive 6.5 L
 Hydraulic tank 135 L



WORKING RANGE



www.Komatsu.com

08-2016

KOMATSU®

CIN: L99999MH1946PLC004768

Materials and specifications are subject to change without notice.

KOMATSU is a trademark of Komatsu Ltd. Japan.